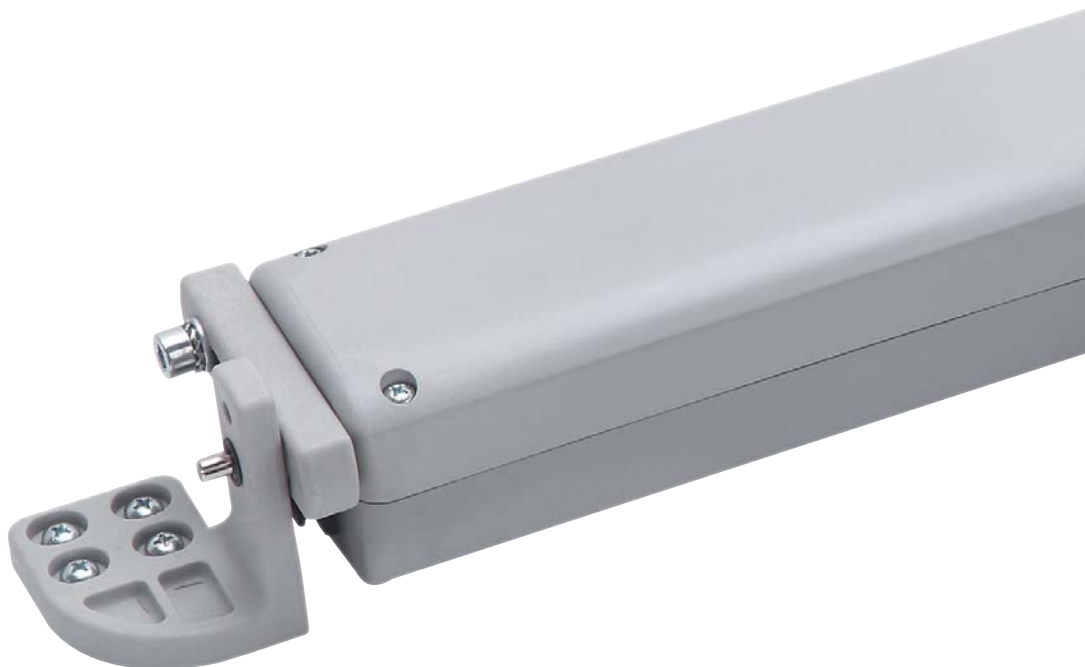


SUPERNOVA

Chain actuator – Force 300 N – Maximum stroke 400 mm



PATENTED CHAIN ACTUATOR

- Double link chain that leads to better load resistance in case of top hinged windows, heavy windows or roof windows.
- Two available versions: **SUPERNOVA** with a stroke of 400 mm and **SUPERNOVA R** with a maximum stroke of 400mm, selectable from 0 to 300mm, by positioning a magnet on the chain during installation.
- Glass strengthened nylon casing.
- Double electric insulation actuator (no electric connection to earth is needed).
- Exclusive system for a quick and safe installation.
- Quick release system for an easy window cleaning.
- Supplied with electrical connector (no cable) and pivoting brackets suitable for low windows.
- In case of vents with four-bar hinges, please contact our Technical Dept. for choosing the suitable fixing brackets.
- End stroke feedback signal in closing position.



VOLTAGE SUPPLY	SUPERNOVA 230 Vac 50/60 Hz	SUPERNOVA R 230 Vac 50/60 Hz
ELECTRIC CONNECTION	3 wires (*)	3 wires (*)
MAXIMUM STROKE	400 mm	400 mm: adjustable from 0 to 300 mm
FORCE	300 N (**)	300 N (**)
SPEED	~ 30 mm/s	~ 30 mm/s
CURRENT ABSORPTION (with max load)	0,8 A	0,8 A
PARALLEL CONNECTION	YES	YES
LIMIT STOP	Micro switches	Micro switches/Hall sensor
SAFETY STOP	Thermic	Thermic
PROTECTION CLASS	IP 20	IP 20
Part No.		
GREY	40986A	41322O
BLACK	40987B	41323P
WHITE	40988C	41324Q

(*) Double electric insulation actuator: no electric connection to earth is needed

(**) In case of push action and full stroke, maximum force is intended for short period only.



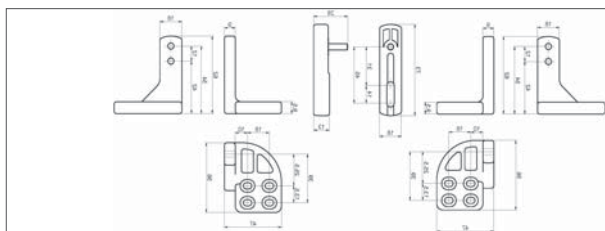
Accessories



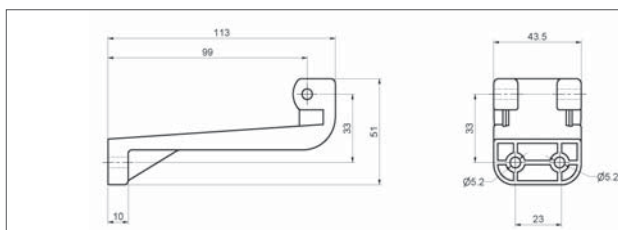
Electrical connector included (no cable)



Spacer for chain connector, included

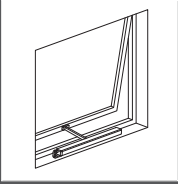


Fixing brackets, included

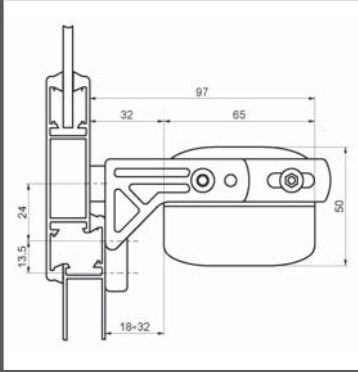


Bottom hinged window plastic bracket part No. 40997L, to be ordered separately

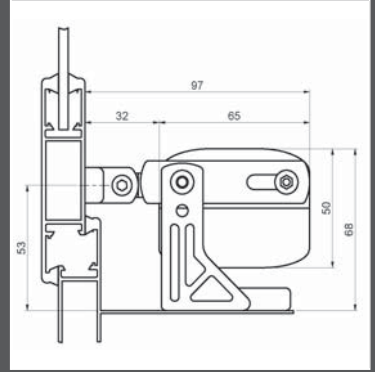
Installation examples



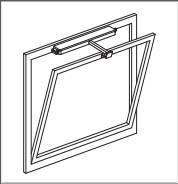
Top hinged windows



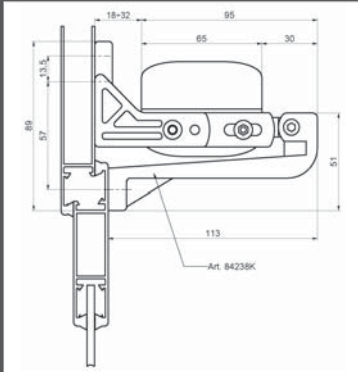
On the frame with pivoting brackets included



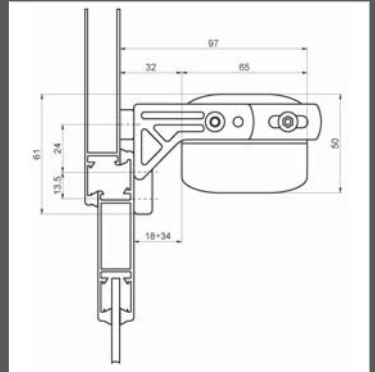
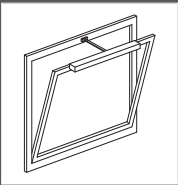
On the windowsill with pivoting brackets included



Bottom hinged windows

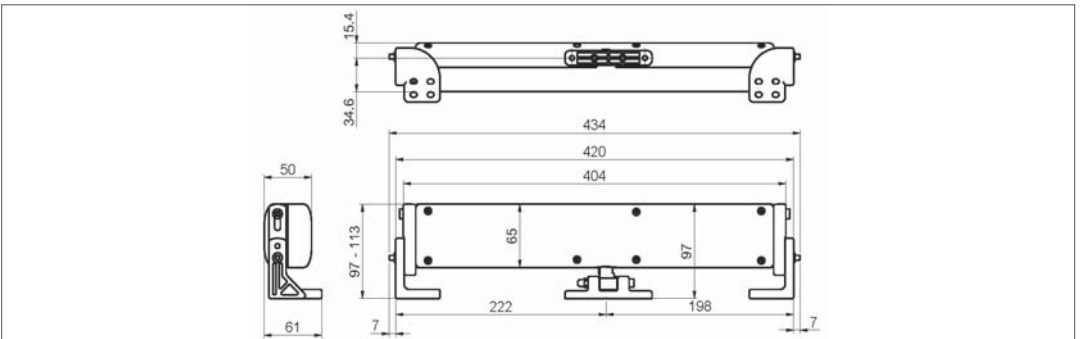


On the frame with pivoting brackets included and bottom hinged brackets pn. 40997L



On the vent with pivoting brackets included

⚠ The instructions for a safe installation are included in the section "SECURITY WARNINGS"



Actuator dimensions

SPECIFICATION PROSPECT

Double electric insulation chain actuator Ultraflex Control Systems named Supernova with double link in two versions: fixed stroke 400 mm or adjustable stroke 400 mm, selectable from 0 to 300 mm. Voltage supply: 230Vac . Parallel connection. Limit stop by micro switches and thermal protection. Plastic scratch resistant finish. Conform to 2006/95/LE LVD and 2004/108/CE EMC directives.